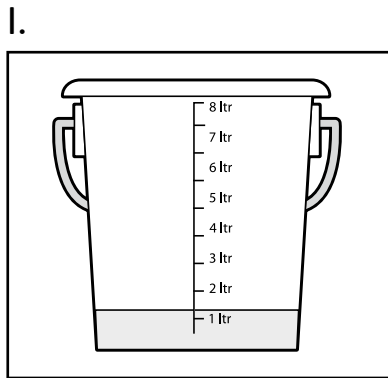
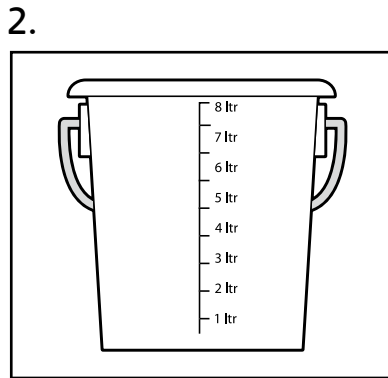


Scales

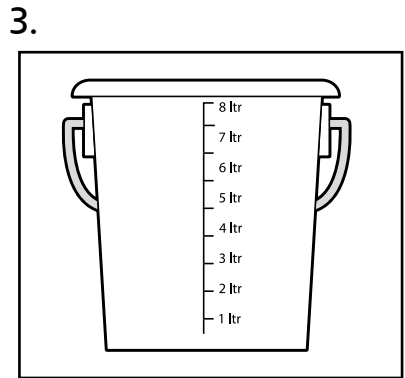
Colour to show the amount of water in each bucket.



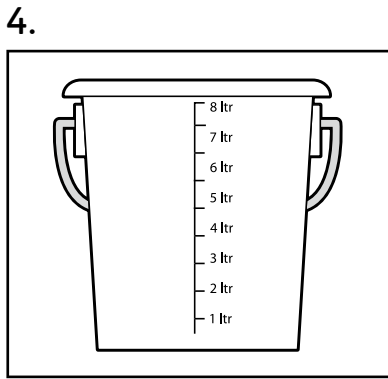
Just over 1 litre



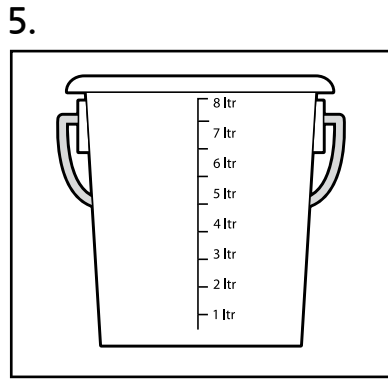
About 2 litres



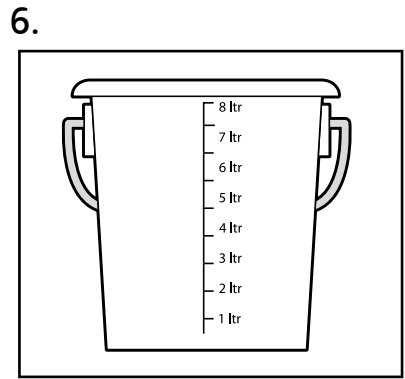
Nearly 5 litres



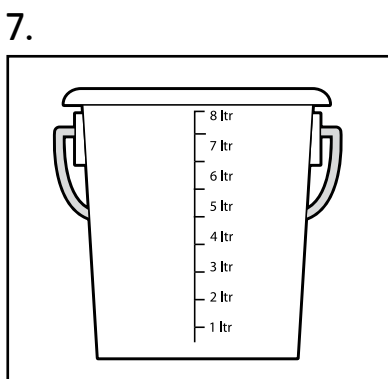
Just less than 6 litres



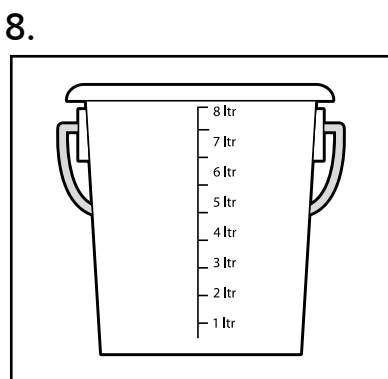
Just over 3 litres



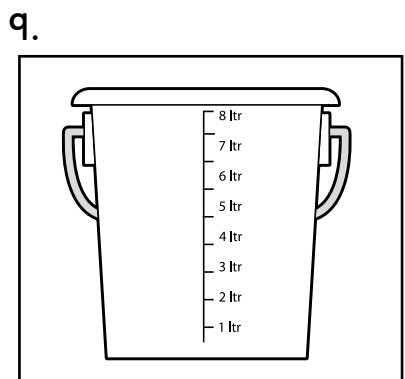
About half a litre



3 and a bit litres



About 6 litres



Just under 4 litres

10. Which bucket is holding about 5000 ml?



I can use scales

